



BDRAS

ALUMINIUM HOUSING / Forward Curved

Fan Components and Material Properties

BDRAS centrifugal fans have low noise level, high pressure properties. They save space thanks to their compact structure. The body is made of die-cast aluminum and is resistant to corrosion and corrosion. The motor and fan impeller are connected to the main body by steel carriers. The device is capable of handling air at max.40°C.

Fan Structure

The forward inclined fan wheel is made of high-quality galvanized steel that is resistant to corrosion and is manufactured in an aerodynamic manner to ensure regular flow. Thanks to its aerodynamic wing structure, it works quietly.

Benefits

It works with low noise levels and is designed to be maintenance-free for long periods of time. Because of both suction and shooting capability, it

is possible to dispose of the polluted air in the environment and fresh air to the environment. Can be installed in the desired pain. Speed can be adjusted with speed control devices. There is a protection grid in the fan suction and has a rigid body caused by the Aluminium die-cast body.

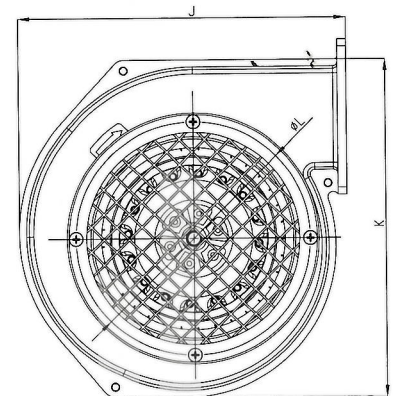
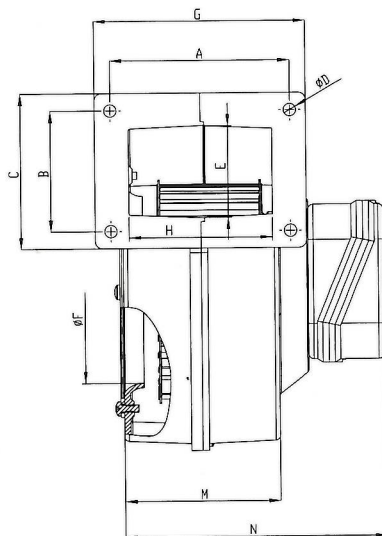
Speed Control

Optional control devices can be provided. * Speed control can be done with linear voltage regulator. (see BSC accessory)

Usage Areas

BDRAS series fans are mainly used in industrial and commercial areas; In general, it is used in local cooling applications and heating systems. It is preferred when the advantages of the aluminum rigid body such as cooling of machines, air supply in solid fuel boilers, yacht air conditioners and electrical panels can be used.

Technical Drawing and Tables



TYPE	A	B	C	D	E	F	G	H	J	K	L	M	N
BDRAS 85-40	66	58	70	5,5	42	63	76	56	117,5	127,5	84	80	120
BDRAS 108-50	96,5	65	85	7	50	87	115	76	159	183	118	82	122
BDRAS 120-60	99	67,5	88	7	49	103,5	118,5	80	190	184	122	87	145
BDRAS 140-60	123	84	122	7	78	110	154	79	197	203	147	100	151
BDRAS 160-60	114	105	123	7	90	117,5	130	93,5	229	248	164	100	135

Dimensions are in (mm)

TYPE	VOLTAGE	FREQUENCY	POWER	CURRENT	CAPACITOR	SPEED	AIR FLOW	SOUND PRESSURE	INSULATION CLASS	PROTECTION CLASS	WEIGHT
	V	Hz	W	(A)	(µF)	r.p.m	m ³ /h	dB(A)	Ins.cl.	IP	kg
BDRAS 85-40	230	50/60	30	0,13	1	2500	90	40	B	44	1,2
BDRAS 108-50	230	50/60	40	0,19	1,5	1900	155	42	B	44	1,7
BDRAS 120-60	230	50/60	85/105	0,38/0,46	2,5	2400 ~	290	45	B	44	2,8
BDRAS 140-60	230	50/60	138/175	0,61/0,77	4	2300	485	47	B	44	3,4
BDRAS 160-60	230	50/60	200/255	0,88/1,12	6	2250	600	50	B	44	4,3

Sound Level Measured from 3m distance in room condition.